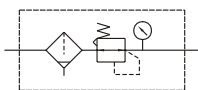


# MAFR500 series

**AIR UNITS (F.R.UNIT)**



### Symbol:



### Specification:

| Model                     | MAFR500                                     |      |
|---------------------------|---------------------------------------------|------|
| Bore No.                  | 20A                                         | 25A  |
| Port size                 | PT 3/4                                      | PT 1 |
| Medium                    | Air                                         |      |
| Operating pressure range  | 0~9.9 kgf/cm <sup>2</sup> (0~0.99 MPa)      |      |
| Proof pressure            | 15 kgf/cm <sup>2</sup> (1.5 MPa)            |      |
| Regulation pressure range | 0.5~8.5 kgf/cm <sup>2</sup> (0.05~0.85 MPa) |      |
| Ambient temperature       | -5~+60°C (No freezing)                      |      |
| Filtration                | 40 μm                                       |      |
| Attachment                | Pressure gauge, bracket                     |      |
| Weight                    | 2037 g                                      |      |

※ Standard Unit contains semi-auto-drain function when operating pressure below 0.5kgf/cm<sup>2</sup>.

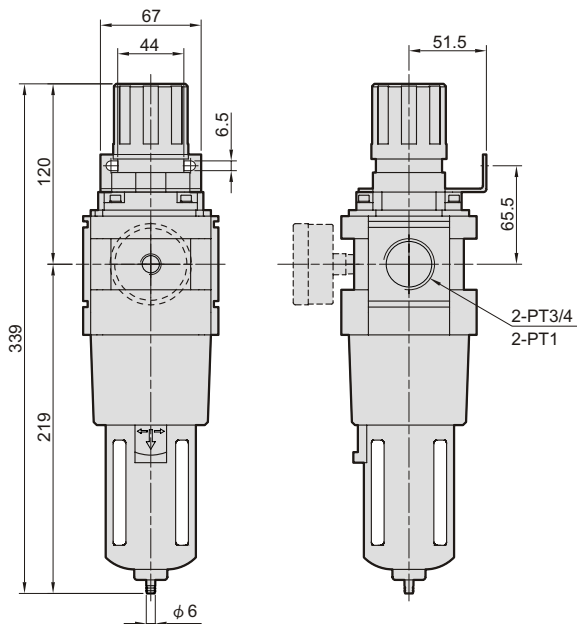
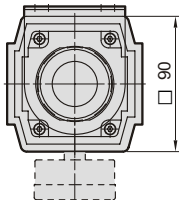
### Order example:

**MAFR500 — 20A — BSP**

MODEL

BORE SIZE  
20A: PT 3/4"  
25A: PT 1"

PORT THREAD  
Blank: PT thread  
BSP: BSP thread  
NPT: NPT thread



### Flow feature:

